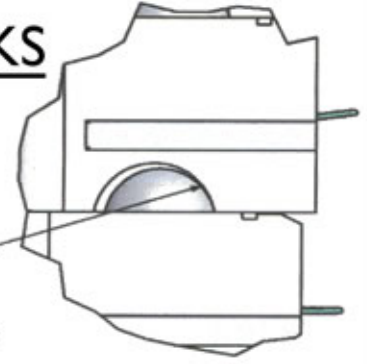


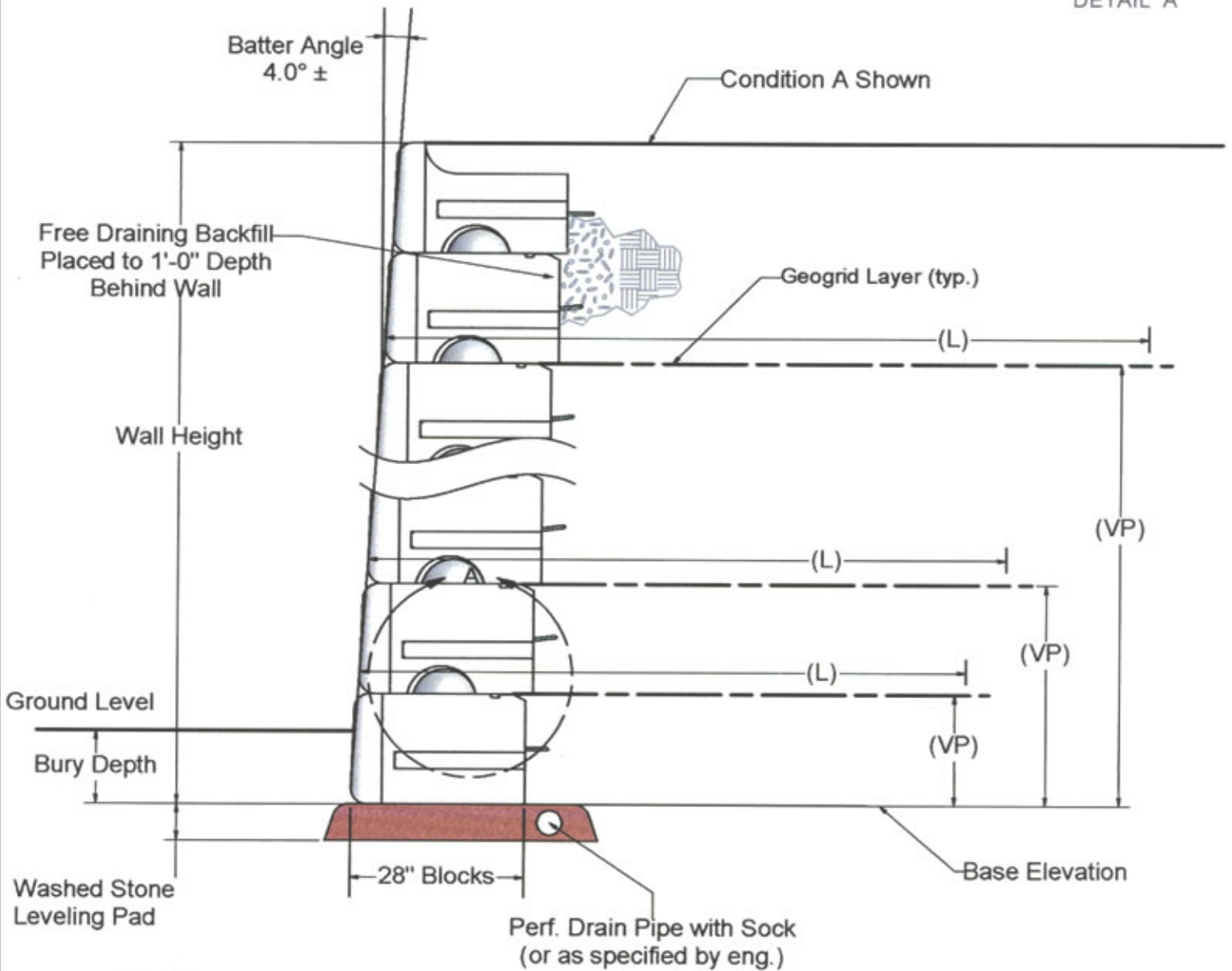
TYPICAL GEOGRID WALL 28" GEOCONNECTOR BLOCKS

*Drawing Not to Scale



*Knob and groove fully engaged

DETAIL A



Notes:

1. (VP) = Vertical Placement for geogrid layers. Measurements are from the Base Elevation.
2. (L) = Length of geogrid. Measurements are from the front face of the block.